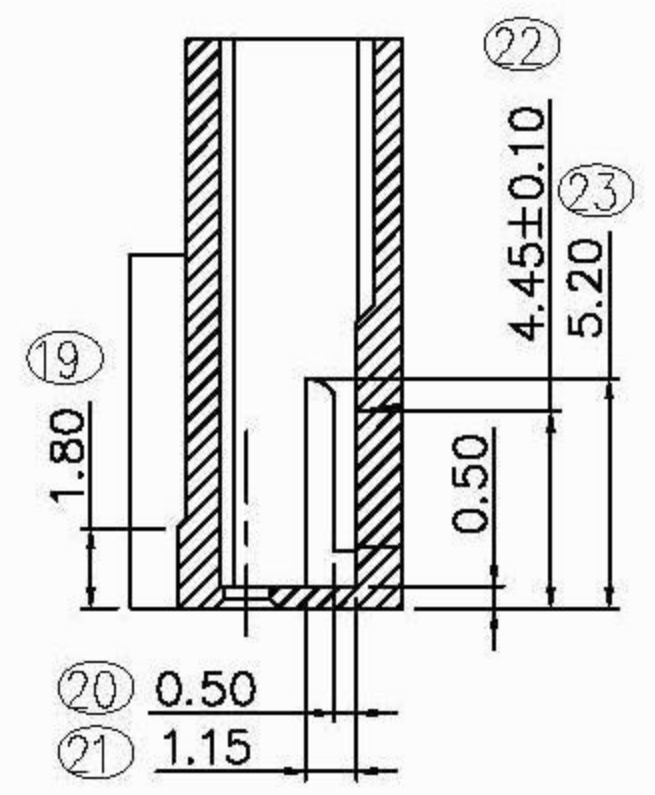


NOTES:

CURRENT RATING: 4A AC/DC.
 VOLTAGE RATING: 250V AC/DC.
 TEMPERATURE RANGE: -25°C~+85°C.
 CONTACT RESISTANCE: 10mΩ MAX.
 INSULATION RESISTANCE: 1000MΩ MIN.
 WITHSTANDING VOLTAGE: 1000V AC/MINUTE.
 MATERIAL: PA66 UL94V-0



SECTION: (A-A)

GXCON ENTERPRISE CO., LTD

DRAW NO.	A2542H	DATE	P/N NO:	DRAW NAME:
DESIGN:	赵建林	06/02/08'	WF2540HXX	MX 2.54 Housing
CHECK:			REV. E	SCALE 1:1
REVIEW:			UNIT: mm	SHEET: 1/1

DIM	TOL	DIM	TOL
X.	/	X'	/
X.X	±0.25	X.X'	±2'
X.XX	±0.20	X.XX'	±1'
X.XXX	±0.10	X.XXX'	/